

Submittal Data: UMAT48HP230V1AD 48,000 BTUH Slim Duct Heat Pump System

Job Name	Location	Date
----------	----------	------

Purchaser	Engineer
-----------	----------

Submitted To	For <input type="checkbox"/> Reference <input type="checkbox"/> Approval <input type="checkbox"/> Construction
--------------	--

Unit Designation	Schedule No.
------------------	--------------

- GENERAL FEATURES**
- Multi-Speed Fan
 - Medium Static Pressure Capability
 - Flexible Return Air From Bottom Or Rear
 - Internal Condensate Drain Pump
 - Sentry Condensate Overflow Protection
 - Wired Remote Controllers
 - Gold Fin Condenser Coating
 - 5 yr. Limited Parts Warranty
 - 7 year Limited Compressor Warranty


System Ratings

Cooling		
Rated Capacity		48,000 BTU/H
Capacity Range		20,400-49,500 BTU/H
Power Input (Max)		5,600 W
SEER		16.0
EER		9.3
Heating at 47° F		
Rated Capacity		54,500 BTU/H
Capacity Range		17,500-58,000 BTU/H
Power Input (Max)		5,500 W
HSPF		9.0
COP		3.1
Heating at 17° F		
Rated Capacity		30,600 BTU/H
Operating Range		
Cooling	(Max)	115°F (46 C)
	(Min)	0°F (-18 C)
Heating	(Max)	75°F (24 C)
	(Min)	0°F (-18 C)
Refrigerant Piping Data		
Gas Pipe Size (OD)		5/8-in
Liquid Pipe Size (OD)		3/8-in
Connection Method		Flared
MAX Refrigerant Pipe Length		164-ft
MIN Refrigerant Pipe Length		10-ft
MAX Refrigerant Pipe Elevation		98-ft

Indoor Unit Data

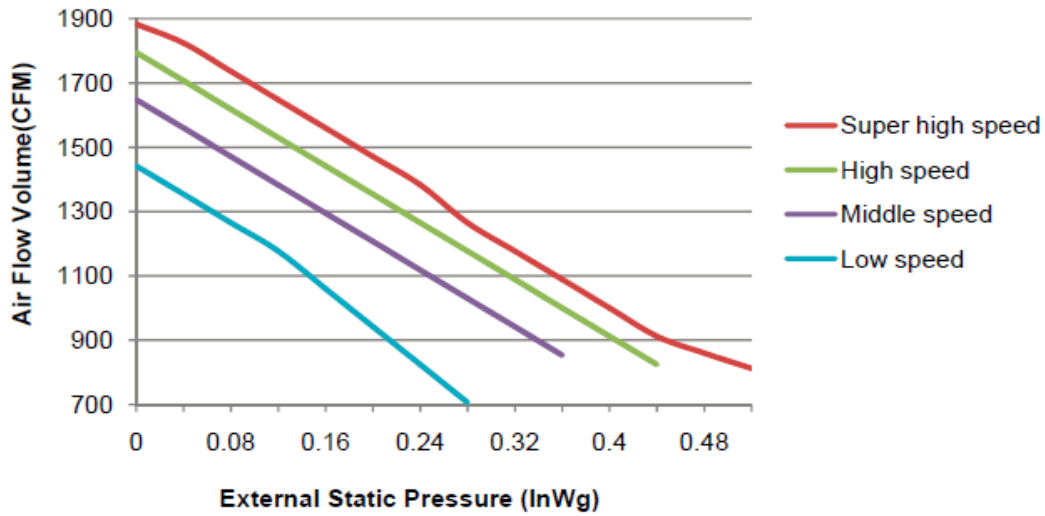
Fan Motor	Output Power	3/4HP
	FLA	4.0A
Airflow		
	Cooling Wet (Lo/Hi)	900/1470 CFM
	Heating Dry (Lo/Hi)	900/1470 CFM
Sound Pressure Level		
	Cooling (Min/Max)	41/53 db(A)
	Heating (Min/Max)	41/53 db(A)
Dehumidification		
		1.80 pt/hr
Condensate Drain Lift (Height)		
		39-in
Power Supply		
	Normal Operational Voltage	208/230 V, 1 Phase, 60 Hz
	Voltage Range	187 - 253 V
	Interconnecting Cable Wire Size	18-2 AWG
	MCA	5.0A
	MOCP/Breaker Size	15A

Outdoor Unit Data

Compressor	DC Inverter Driven Rotary	
Refrigerant Type		R410A
Fan Motor	Output Power	2 x 1/6HP
	FLA	2 x 2.0 A
Sound Pressure		
	Cooling/Heating	59/59 db(A)
Power Supply		
	Normal Operational Voltage	208/230 V, 1 Phase, 60 Hz
	Voltage Range	187 - 253 V
	MCA	45.0A
	MOCP/Breaker Size	70A

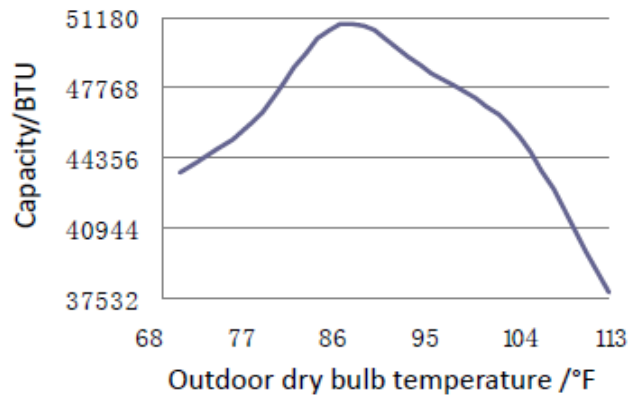


FAN PERFORMANCE CURVES

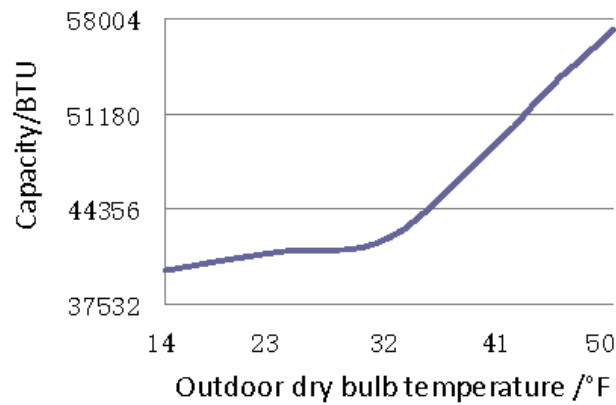


EXTENDED RATINGS

COOLING PERFORMANCE



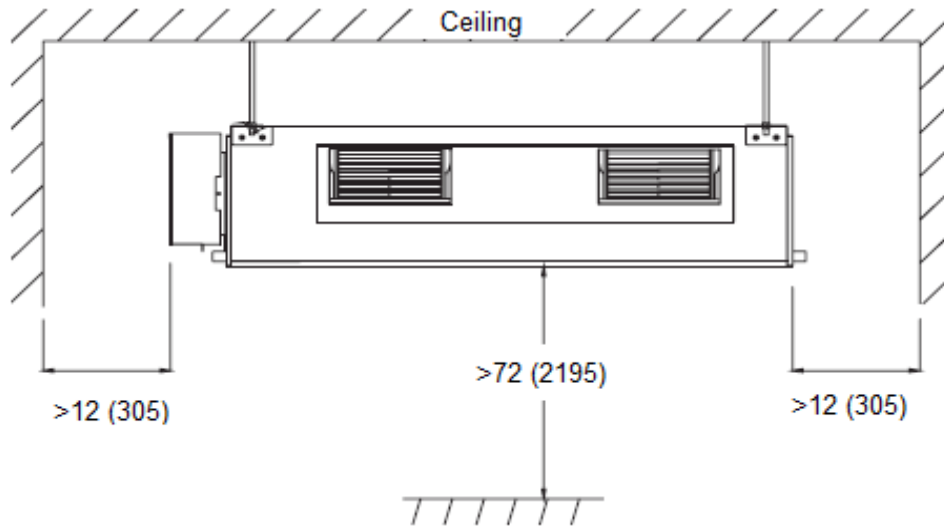
HEATING PERFORMANCE



MINIMUM SPACING REQUIREMENTS

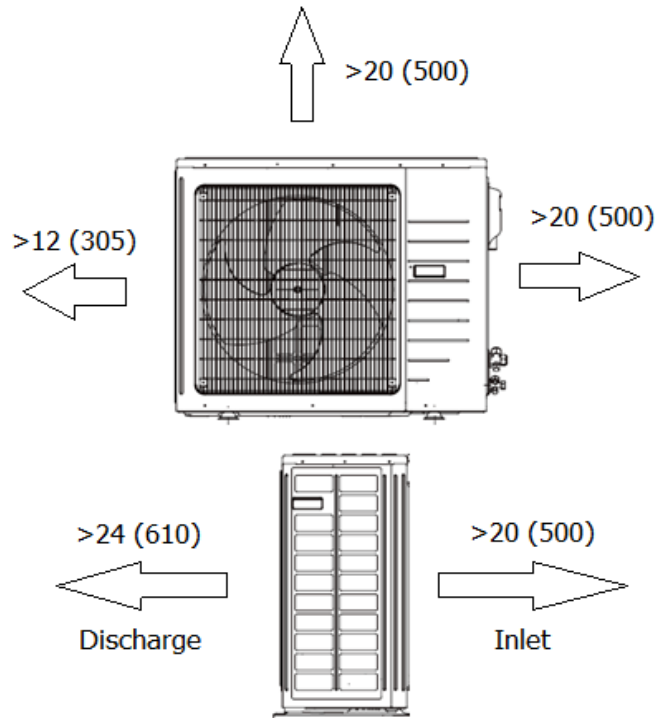
Units: inch (mm)

INDOOR



Units: inch (mm)

OUTDOOR

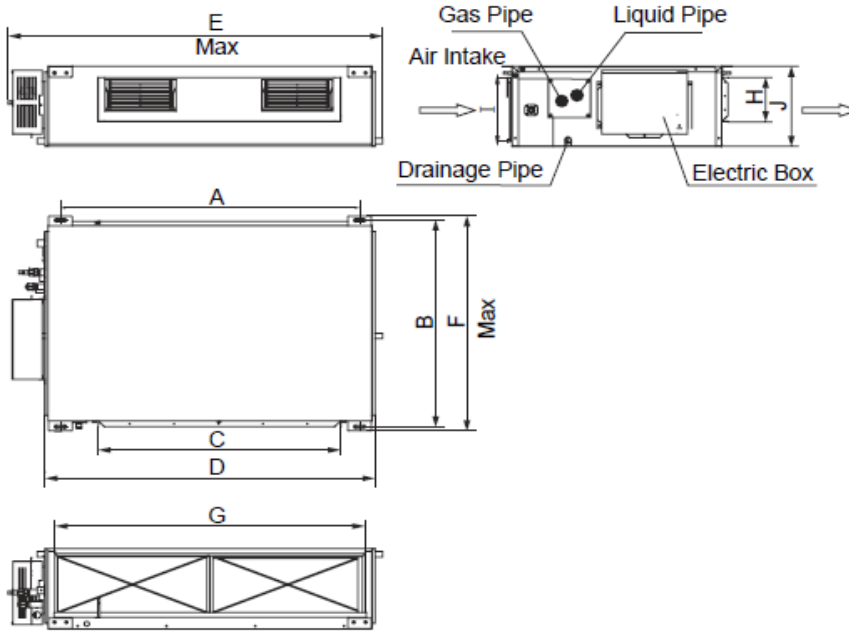


DIMENSIONAL SPECIFICATIONS

UMAT48HP230V1AD

INDOOR UNIT DIMENSIONS & WEIGHTS

Units: inch (mm)



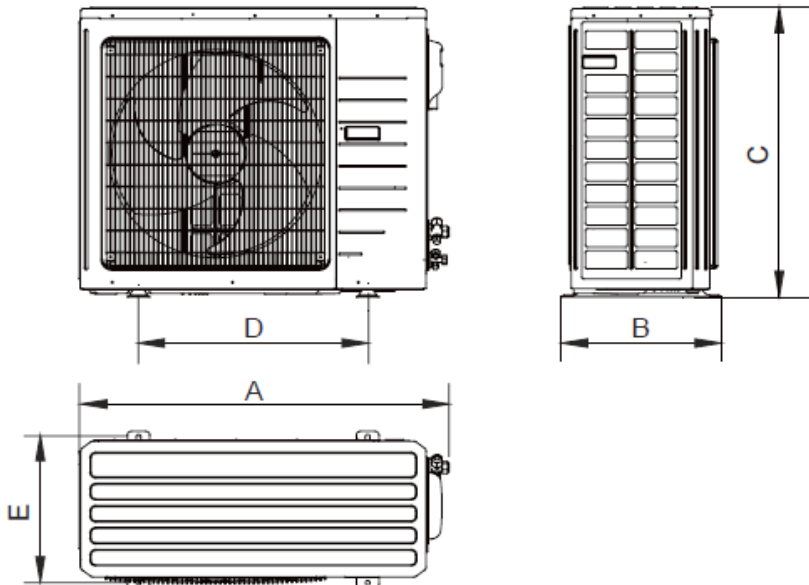
A	43.375	(1177)
B	25.375	(646)
C	33.5	(852)
D	45.25	(1150)
E	52.75	(1340)
F	29.5	(750)
G	37.5	(953)
H	7.5	(190)
I	12.5	(316)
J	13.75	(350)

Net Weight	124 lbs
Shipping Weight	143 lbs

Liquid Line Valve	3/8-in OD Flared
Gas Line Valve	5/8-in OD Flared
Drain Connector	1-in OD

OUTDOOR UNIT DIMENSIONS & WEIGHTS

Units: inch (mm)



A	37.75	(958)
B	16.25	(412)
C	53.125	(1349)
D	22.5	(572)
E	14.75	(376)

Net Weight	232 lbs
Shipping Weight	254 lbs

Liquid Line Valve	3/8-in OD Flared
Gas Line Valve	5/8-in OD Flared

Notes:

1. Recommended Communication Cable Type 18-2 AWG Stranded Copper THHN 600V Wire
2. Power wiring cable size must comply with applicable national and local codes.
3. Test conditions are based on AHRI 210/240.



Specifications are subject to change without notice. Manufacturer reserves the right to discontinue or modify specifications or designs without notice or without incurring obligations. All rights reserved.